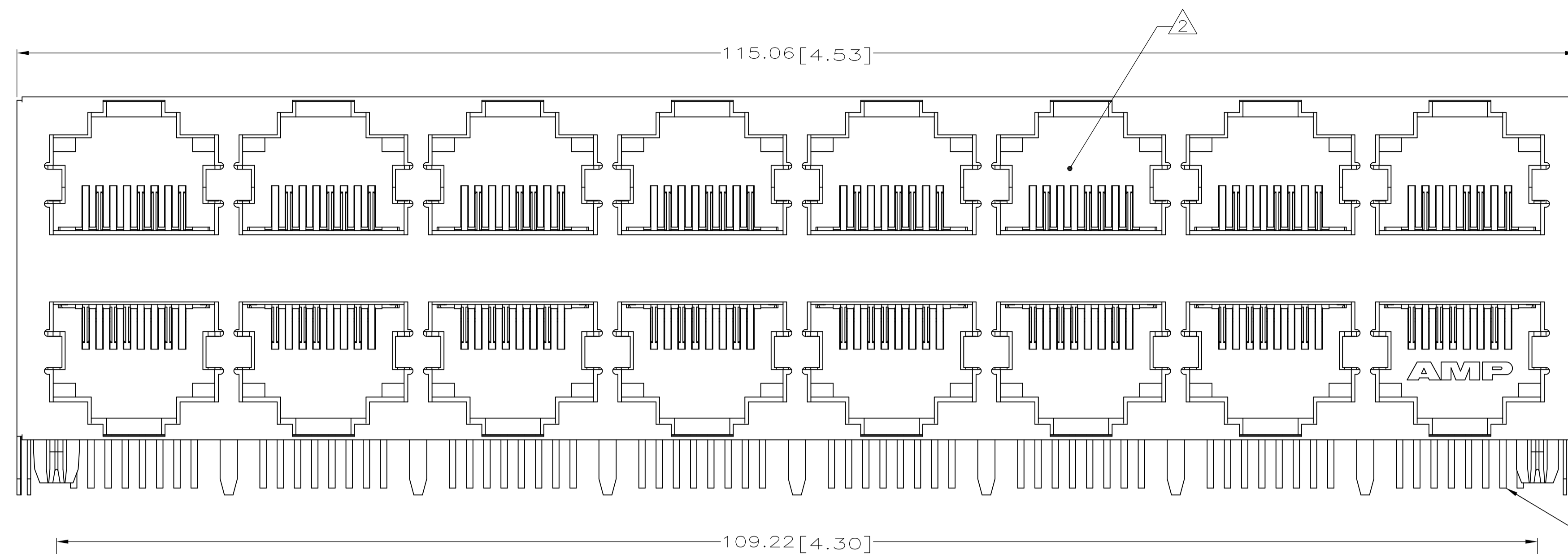
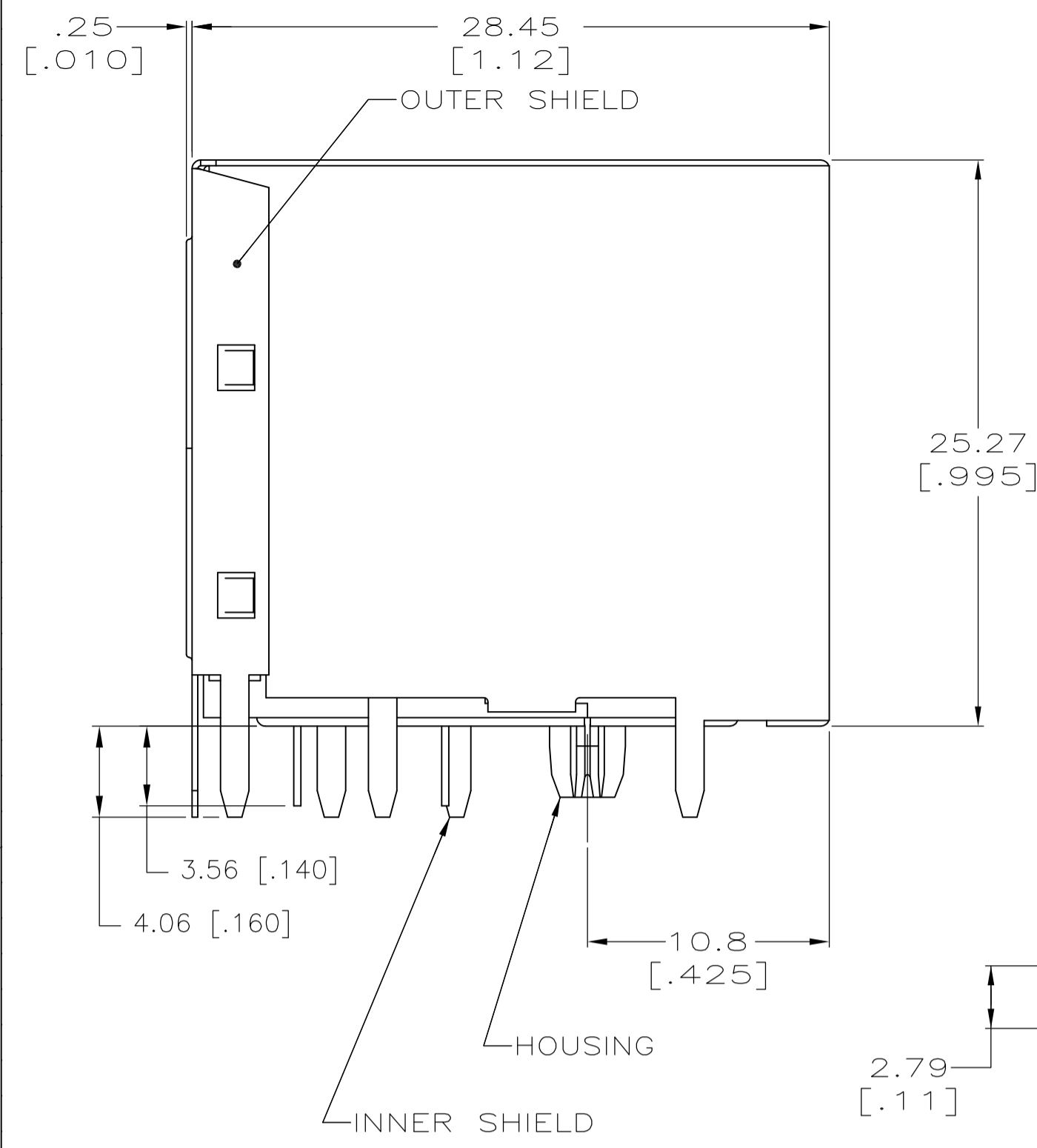


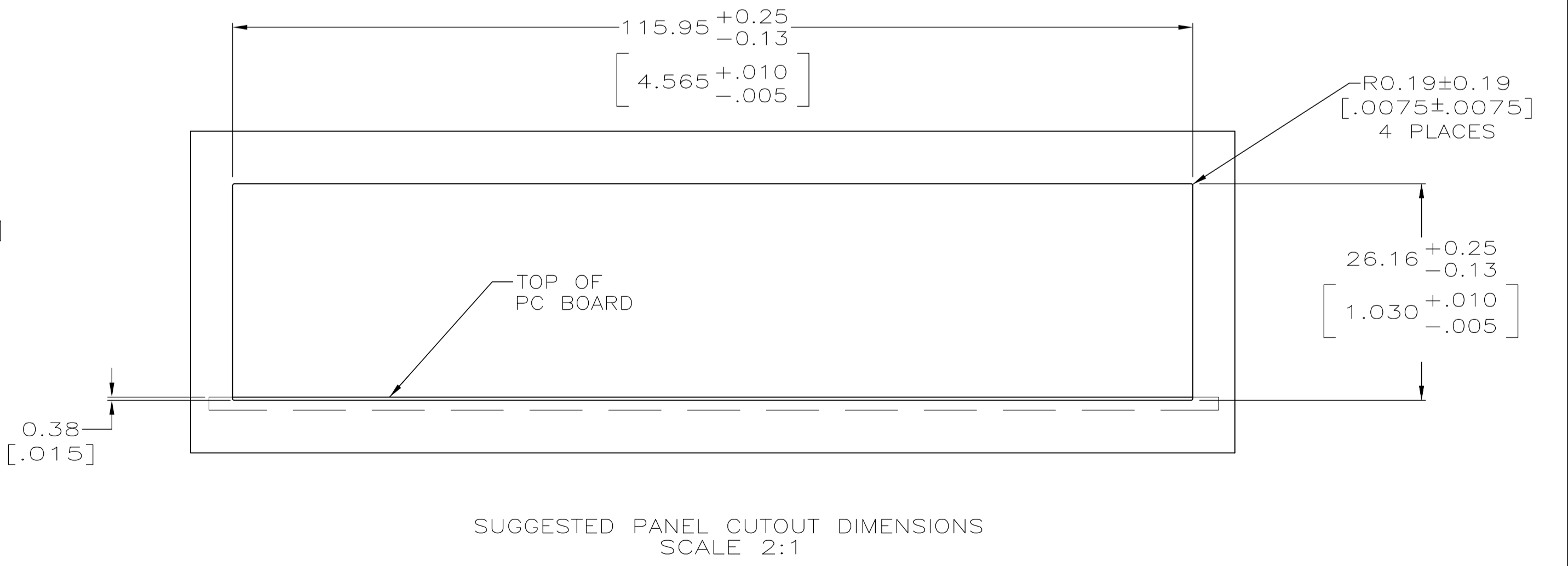
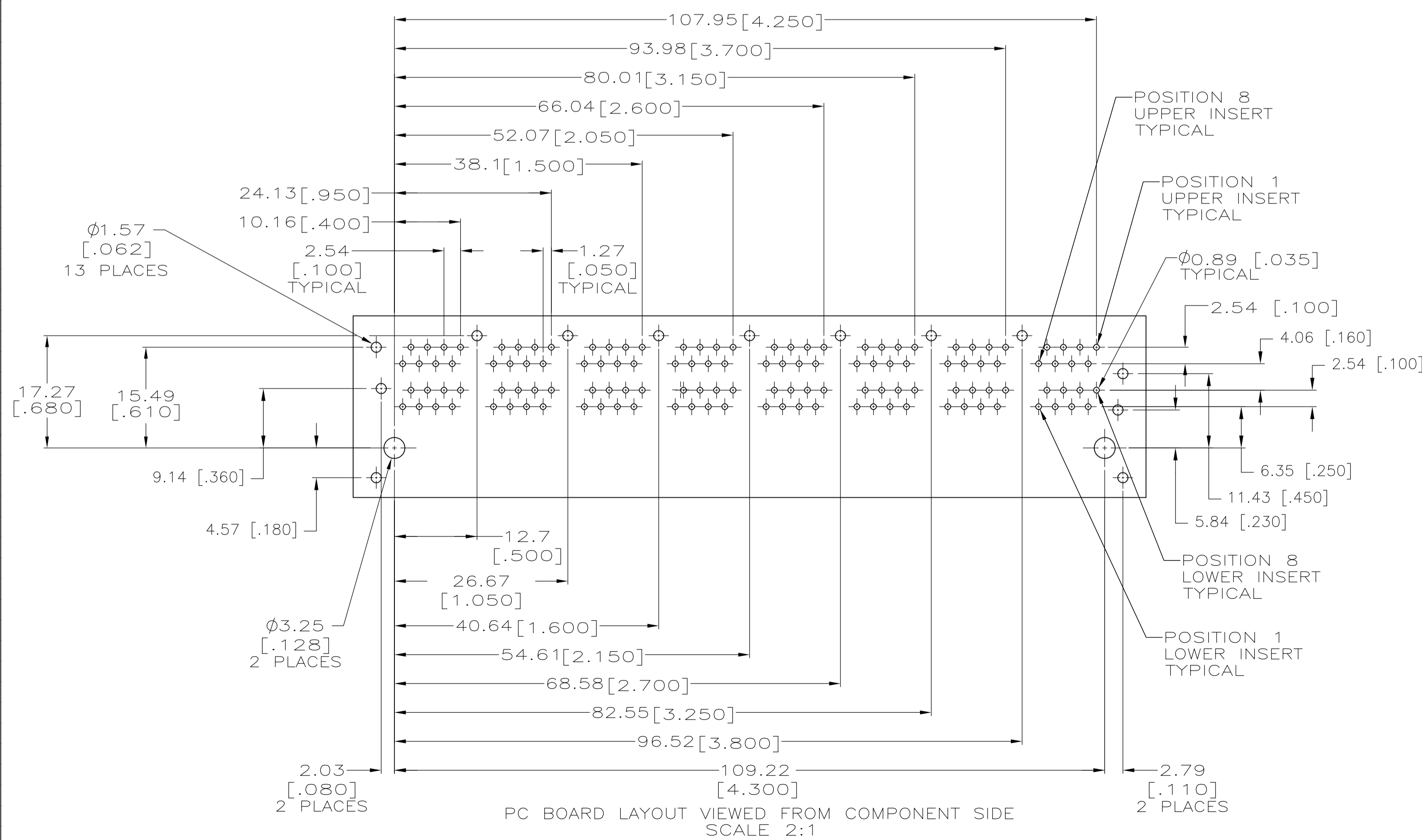
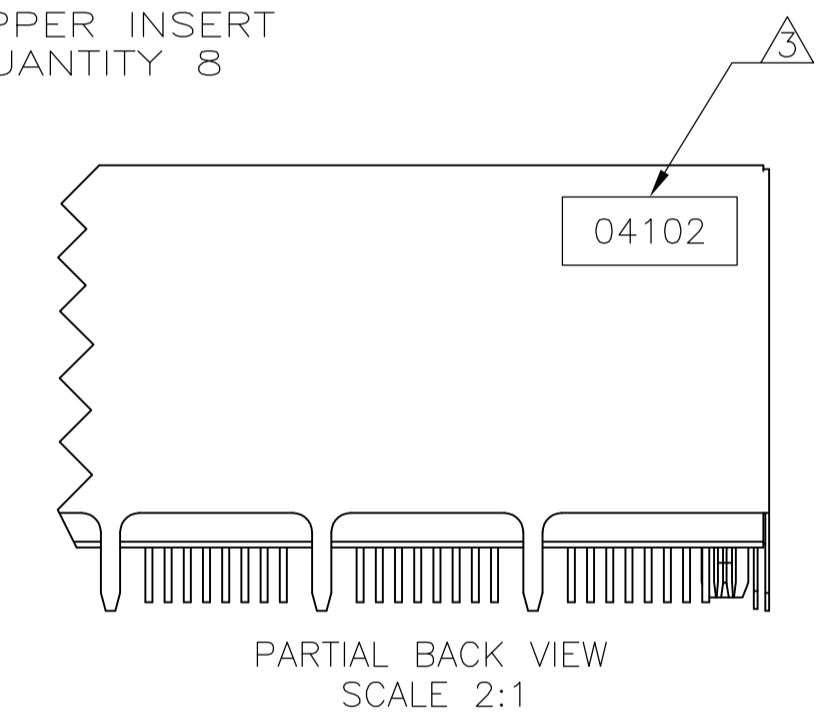
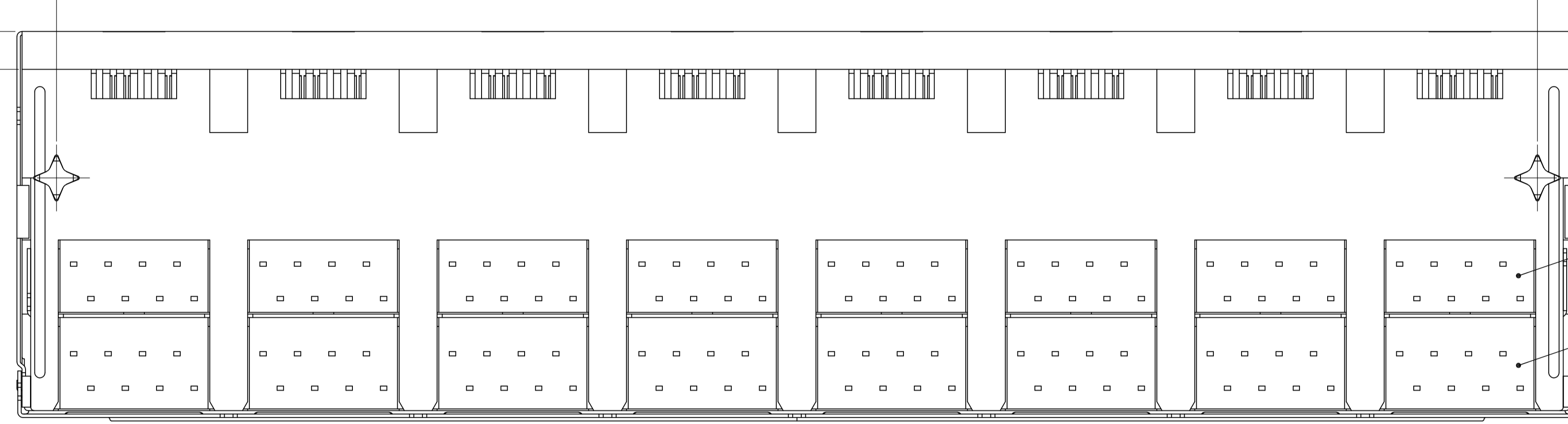
LOC		DIST		REVISIONS			
AA	22	F	LTR	DESCRIPTION	DATE	DWN	APVD
A1				REVISED ECR-08-031628	03DEC08	AZ	SY



MATERIAL:
 HOUSING - PCT POLYESTER, BLACK, UL94V-0.
 OVERMOLDED TERMINAL ARRAY - PBT, BROWN.
 TERMINALS - 0.33 [.013] THICK PHOS BRONZE
 PLATED WITH 1.27um [.000050] MIN THICK
 HARD GOLD IN LOCALIZED AREA AND 3.81um
 [.000150] MIN THICK MATTE TIN IN SOLDER
 AREA OVER 1.27um [.000050] MIN THICK
 NICKEL UNDERPLATE.
 SHIELDS - 0.25 [.010] THICK COPPER ALLOY
 PLATED WITH 1.27 um [.000050] MINIMUM NICKEL
 AND 2.03 um [.000080] MINIMUM HOT TIN DIP
 ON PCB GROUND TABS.

**JACK CAVITY CONFORMS TO FCC RULES AND
 REGULATIONS, PART 68 SUBPART F.**

**DATE CODE LOCATED ON REAR OF PART
 APPROXIMATELY AS SHOWN:
 FIRST 2 DIGITS ARE LAST 2 DIGITS OF YEAR,
 SECOND 2 DIGITS ARE MANUFACTURING
 WORK WEEK,
 LAST DIGIT IS DAY OF WEEK, WITH SUNDAY = 1.**



THIS DRAWING IS A CONTROLLED DOCUMENT.		DIN	15JUN2005	Tyco Electronics Corporation Harrisburg, PA 17105-3608
DIMENSIONS: mm [INCHES]		A. FERNANDEZ-DICKS	15JUN2005	
TOLERANCES UNLESS OTHERWISE SPECIFIED:		CHK	J. WESTMAN	NAME S. FLICKINGER
0 PLC ± -		APVD	S. FLICKINGER	
1 PLC ± -		PRODUCT SPEC	108-1163-2	STACKED MODULAR JACK ASSEMBLY, 2 X 8 PORT, 8 POSITION, SHIELDED, PRINTED CIRCUIT BOARD GROUND, CATEGORY 5
2 PLC ± 0.25[.01]		APPLICATION SPEC	114-2048	
3 PLC ± 0.13[.005]		SIZE	A1	CAGE CODE DRAWING NO 00779
4 PLC ± -		WEIGHT	-	
ANGLES ± ± -		CUSTOMER DRAWING	SCALE 4:1	SHEET 1 OF 1
MATERIAL		FINISH	REV A1	

5569259-1
PART NUMBER